

PEPCARE

Mini Hair Straightener



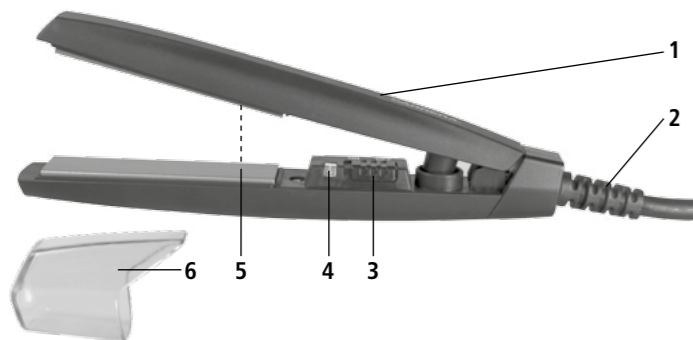
English

Instruction manual

Art. 9263041

- Before using the device for the first time, read through the operating manual carefully and ensure you comply with the safety instructions!
- The device should only be used as described in these instructions.
- Keep these instructions for reference.
- If you pass the device on to someone else, please include these instructions.

1. Overview / Scope of Delivery



NOTE: Check that the device is undamaged.

- | | |
|--|---------------------------------|
| 1 (Upper) grip | 4 Red LED power indicator light |
| 2 Cord with mains plug and strain relief | 5 Ceramic-coated heating plates |
| 3 On-off switch | 6 Protective cap |

Accessories: hair straightener with protective cap, instruction manual

Warnings in these instructions

If necessary, the following warnings will be used in these operating instructions:

DANGER! High risk: Failure to observe this warning may result in injury to life and limb.

WARNING! Moderate risk: Failure to observe this warning may result in injury or serious material damage.

CAUTION! Low risk: Failure to observe this warning may result in minor injury or material damage.

NOTE: Circumstances and specifics that must be observed when handling the device.

2. Safety instructions

Intended purpose

The hair straightener is intended exclusively for straightening and styling real human scalp hair. Only use the device for dry hair.

The device is designed for private home use and must not be used for commercial purposes.

The device must only be used indoors.

Foreseeable misuse

Do not use on artificial hair or animal hair. Do not use the heating plates for drying objects!

Instructions for safe operation

- This device can be used by children from the age of 8 and above and people with restricted physical, sensory or intellectual abilities or people without adequate experience and/or understanding, if they are supervised or instructed on how to use this device safely and if they are aware of the resulting risks.
- Children must not play with the device.
- Cleaning and user maintenance must not be performed by unsupervised children.
- Keep the device and accessories out of children's reach.
- If the device is used in a bathroom, the plug must be pulled out after use, as the proximity of water represents a hazard, even when the device is switched off.
- Installation of a residual current device (FI/RCD) with a rated residual operating current of no more than 30 mA is recommended to provide additional protection. Ask your electrician for advice. The installation should only be carried out by a qualified electrician.

DANGER for children

- Children must not play with packaging material. Do not allow children to play with plastic bags. Danger of suffocation!

DANGER of electric shock as a result of moisture

- Do not use this device in the vicinity of bathtubs, showers, washbasins or other vessels containing water.
- Never put the device down in such a way that it could fall into water while still connected.
- Protect the device from moisture, dripping water or splash water.
- Never touch the device with wet hands.
- Never use this device on wet hair.
- The device, the cable and the mains plug must not fall into water or other liquids and must not be rinsed under running water.
- If the device has fallen into water, pull out the mains plug immediately, and only then remove the device from the water. Do not use the device again, but have it checked by a specialist.
- Should liquid get into the device, pull out the mains plug immediately. Have the device checked before operating it again.

DANGER of electric shock

- Do not operate the device if it or the cable shows visible signs of damage or if the device has been dropped.
- Only connect the mains plug to a properly installed socket, which is easily accessible and supplies voltage matching the rating plate. The socket must still be easily accessible after connection.
- Ensure that the cable cannot be damaged by sharp edges or hot surfaces. Do not wrap the cable around the device (cable break danger!).
- Make sure the cable is not trapped or crushed.
- Ensure that the cable does not come into contact with the hot surfaces of the device.
- Always pull on the mains plug and never on the cable when removing the device.
- Remove the mains plug from the socket, ...
 - ... after each use,
 - ... if a fault occurs,
 - ... when you are not using the device,
 - ... before cleaning the device and
 - ... during thunderstorms.
- To avoid any risk, do not make any changes to the device. Do not replace the cable yourself either. Repairs must only be carried out by a specialised company.



DANGER - Fire hazard

- Never leave the device unattended while plugged in.
- Never cover the device or place it on soft objects (e.g. bath towels). Always place the switched-on/hot device on a solid, level, heat-resistant surface.
- Never use petroleum, alcohol or other inflammable cleaning agents.
- When using hair styling products, follow the instructions of the manufacturer.
- Do not use an extension cable.



DANGER of burns

- Never touch the hot heating plates or the hot surfaces of the casing. Only hold the hot device by the surfaces of the grip.
- Always keep away from the skin of the scalp, neck and face.
- Allow the device to cool down completely before you clean it or put it away.



WARNING! Risk of injury

- Place the cable in such a way that no one trips over it or steps on it!



WARNING! Risk of hair damage

- In order to avoid damage to the hair, e.g. broken hairs:
 - ... only hold the heating plates in the same position for a few seconds;
 - ... do not straighten blonde-dyed, bleached or coloured hair too often.



CAUTION! Material damage

- Never place the device on hot surfaces (e.g. hob plates) or near heat sources or open fire.
- Do not use any harsh or abrasive cleaning agents.
- Do not expose the device to temperatures below -10 °C or above +40 °C.

3. Operation

WARNING! Only use the device for dry hair.

NOTE: Before using for the first time, switch the device on for a few minutes. As a result of the manufacturing process, a slight odour may be produced. This is not harmful and only occurs during initial use. Ensure that the room has good ventilation.

- Judge your hair sensibly: fine or damaged hair reacts to the treatment more quickly than thick, healthy hair.
- The thinner the strands you are treating, the more intensive the resultant styling effect.

Switching on and warming up

1. Remove the protective cap.
2. Place the device on a heat-resistant surface.
3. Connect the mains plug to an easily accessible socket.
4. Push the on-off switch to **ON** to switch the device on. The indicator light lights up red.

Straightening

1. Dry the hair.
2. Comb the hair well.
3. Separate a strand of hair and comb it smooth.
4. Beginning at the roots of the hair, place the strand between the heating plates. When doing so, ensure an adequate distance is maintained from the scalp!
5. Slide evenly from the hair roots to the hair tips. Do not hold in the same position for too long.
6. Straighten all the hair in this way, strand by strand.

Switching off and cooling down

1. Push the on-off switch to **OFF** to switch the device off. The indicator light goes out.
2. Disconnect the mains plug.
3. Allow the device to cool down before cleaning or storing it.
4. Press the straightening plates together and cover them with the protective cap.

4. Cleaning



DANGER!

- Before cleaning the device, disconnect the mains plug and allow the device to cool down.
- Do not use strong or abrasive detergents.
- Never use gasoline, spirit or other flammable detergents.
- Wipe the housing and heating plates with a slightly damp cloth. Wipe dry afterwards.

5. Technical data

Article no.	9263041
Mains voltage	110V-240V ~ 50 Hz/60 Hz
Protection class	□ II
Output	25 W
Temperature range	max. 160 °C
Ambient temperature	-10 °C to +40 °C

In the interest of product improvements, we reserve the right to make technical and optical changes to the device and accessories.

6. Conformity



The CE mark was applied in accordance with the corresponding European directives.

The conformity declaration is held by the distributor:

Aquarius Deutschland GmbH · Adalperostrasse 29
85737 Ismaning bei München · GERMANY
This is not a service address.

7. Disposal



This symbol indicates that the product must be disposed of in a separate waste collection within the European Union. This applies to the product and all accessories marked with this symbol. Products marked as such may not be discarded with normal domestic waste, but must be taken to a collection point for recycling electrical and electronic devices.



Packaging

If you want to dispose of the packaging, make sure you comply with the environmental regulations applicable in your country.



Produced for Aquarius Deutschland GmbH